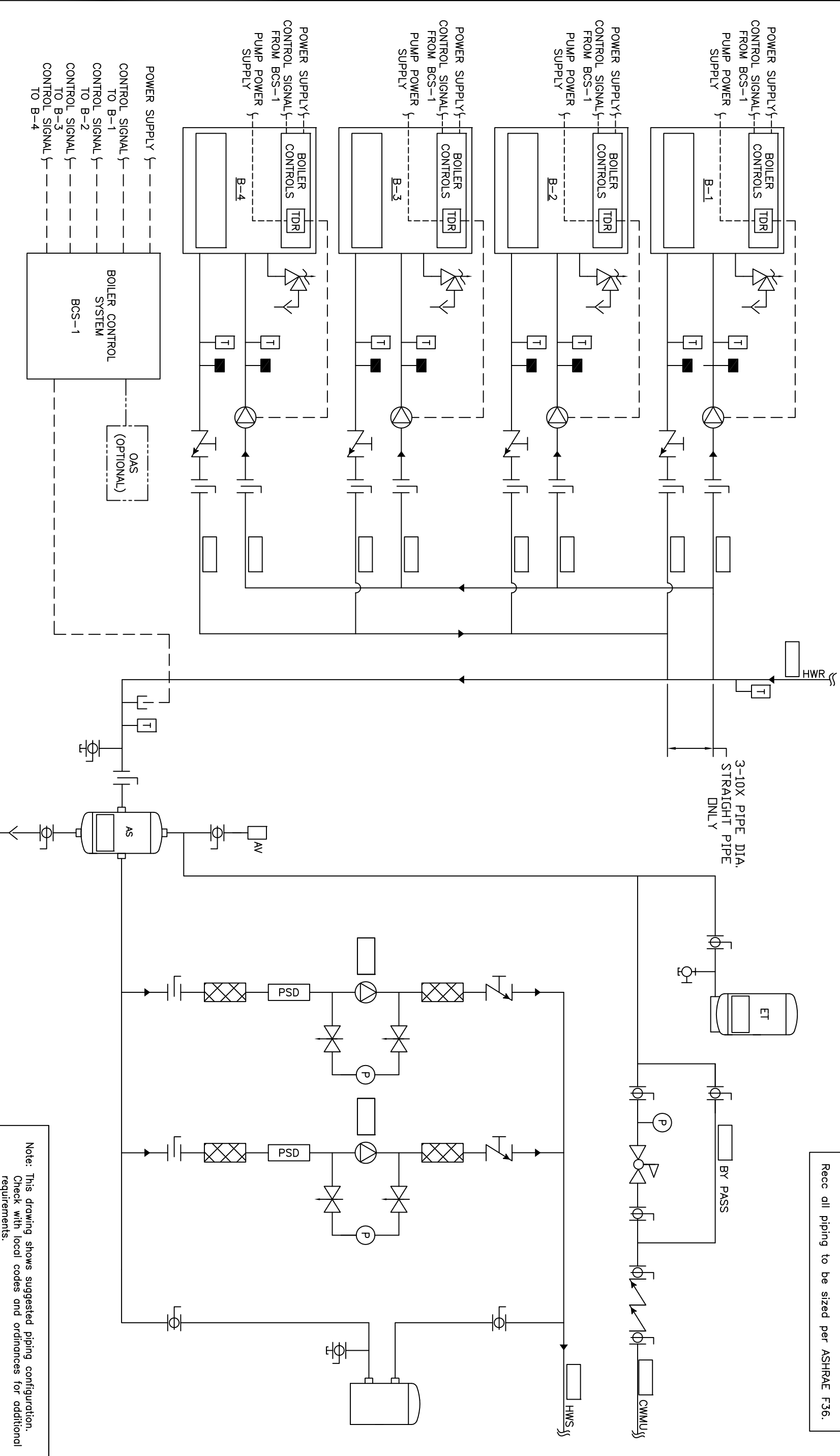


Rec all piping to be sized per ASHRAE F36.



Note: This drawing shows suggested piping configuration. Check with local codes and ordinances for additional requirements.

<p>THIS DRAWING AND THE INFORMATION CONTAINED HEREIN ARE THE PROPERTY OF CHC, CALIFORNIA HYDRONICS CORP. NO PARTS OF THIS DRAWING OR INFORMATION CONTAINED HEREIN ARE TO BE REPRODUCED OR TRANSMITTED IN ANY FORM OR BY ANY MEANS, ELECTRONIC OR MECHANICAL, INCLUDING PHOTOCOPYING, RECORDING, OR BY ANY INFORMATION STORAGE AND RETRIEVAL SYSTEM, WITHOUT PRIOR WRITTEN PERMISSION OF CHC.</p>		<p>PROJECT NAME: HYDRONIC PRIMARY/SECONDARY - 4 SEALED COMBUSTION BOILERS, SEPARATE PRIMARY PUMP POWER, NO TEMP PROTECTION, WITH 2 SYSTEM PUMPS</p>
<p>PROJECT LOCATION: ENGINEER: CUSTOMER:</p>		<p>DRAWING No. H-PS-201-4XX-2 DRAWN BY/DATE: [Name]/05/29/08 CHECKED/DATE: [Name]/[Date] TOLERANCES UNLESS OTHERWISE SPECIFIED: 500" ANGLE: 5° SCALE: 0 NTS</p>
<p>REV A RELEASED</p>	<p>RSG 05/28/08</p>	<p>BY DATE</p>
<p>DESCRIPTION</p>		

