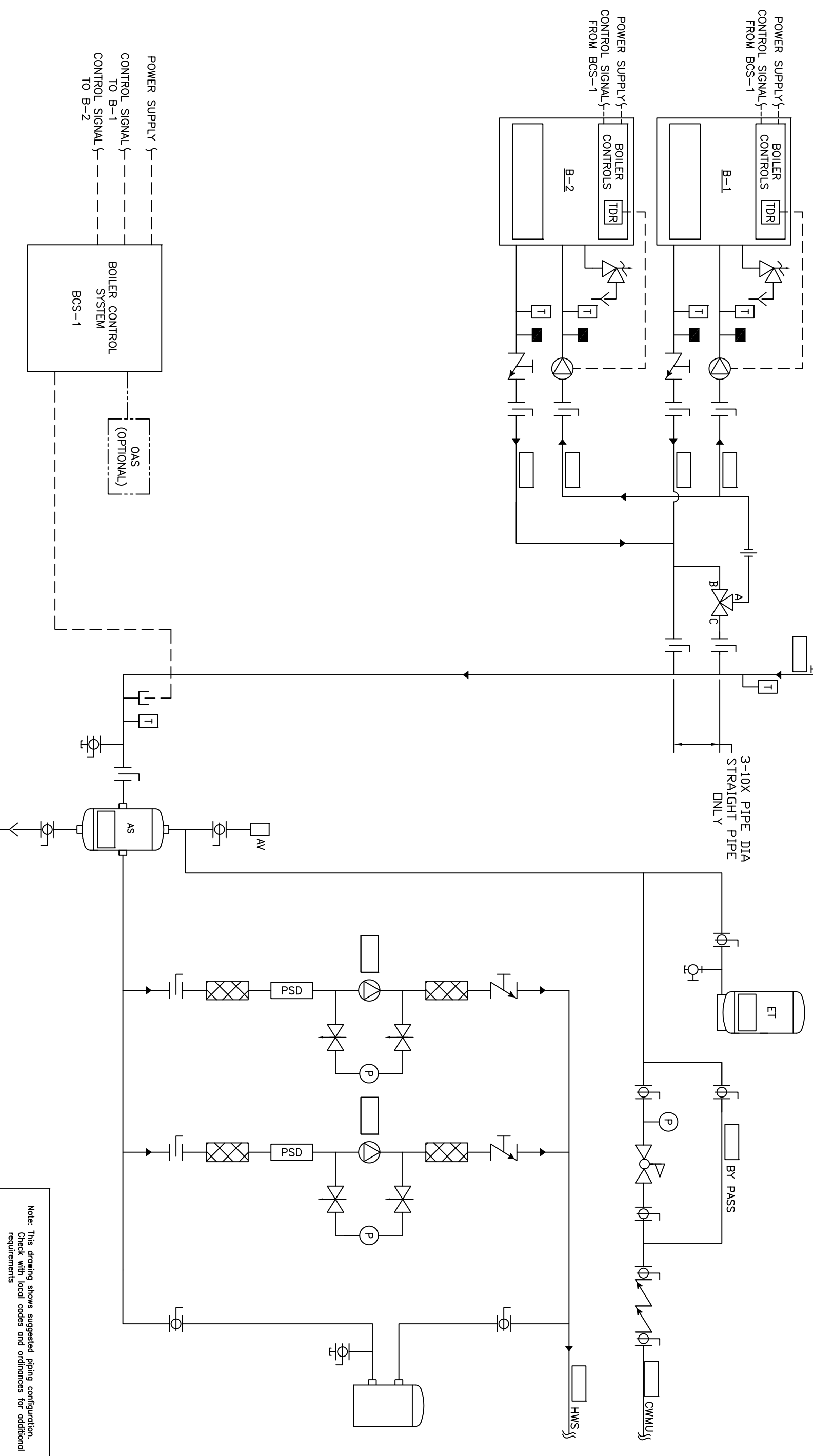


Recc all piping to be sized per ASHRAE F36.



Note: This drawing shows suggested piping configuration. Check with local codes and ordinances for additional requirements

PROJECT NAME:		THIS DRAWING AND THE INFORMATION DEPICTED THEREIN IS THE PROPERTY OF CHC. NO PART OF THIS DRAWING OR INFORMATION IS TO BE REPRODUCED OR COPIED, OR USED AS THE BASIS FOR THE MANUFACTURING, WITHOUT PRIOR WRITTEN PERMISSION OF CHC.	
PROJECT LOCATION:		ENGINEER:	
DRAWING TITLE:		DRAWING No.	
HYDRONIC PRIMARY/SECONDARY - 2 SEALED COMBUSTION BOILERS, COMMON FPE VALVE, WITH 2 SYSTEM PUMPS		H-PS-200-2CF-2	
DRAWING No.		CHECKED	
H-PS-200-2CF-2		APPROVED	
DRAWN BY/DATE		SCALE	
RSG 05/28/08		500"	
BY		DATE	
RSG 05/28/08		05/23/08	
DESCRIPTION		REV	
A RELEASED		A	

**CHC**  
 CALIFORNIA • RENO  
 800.486.4858  
 WASHINGTON • OREGON  
 ALASKA • IDAHO • MONTANA  
 888.690.0090