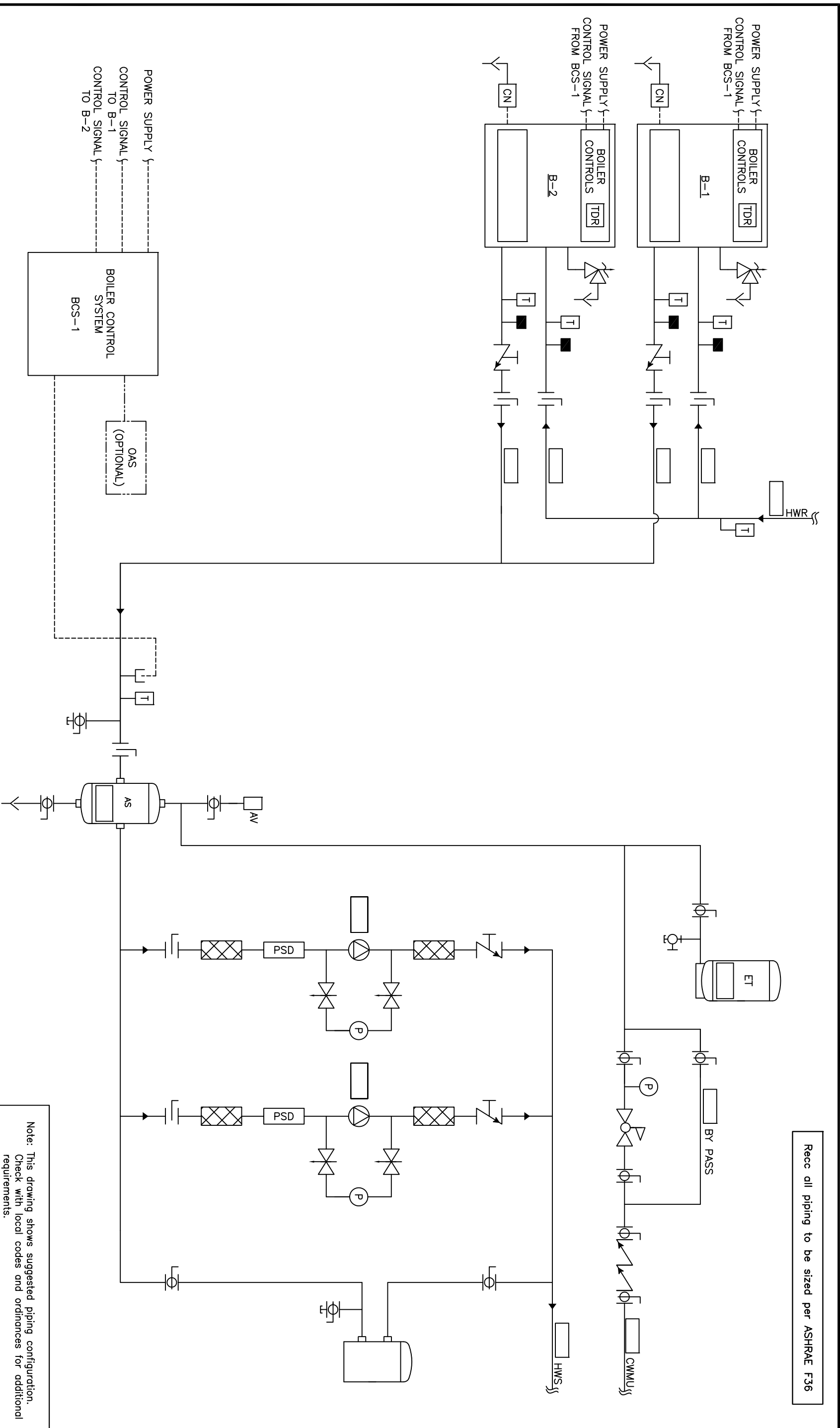


Recc all piping to be sized per ASHRAE F36



Note: This drawing shows suggested piping configuration. Check with local codes and ordinances for additional requirements.

<p>THIS DRAWING AND THE INFORMATION OF FLOW/HEAT SYSTEMS, A DIVISION OF OAC, CALIFORNIA HYDRONICS CORP., CONFERENCE AND SHALL NOT BE REPRODUCED OR USED AS THE BASIS FOR THE MANUFACTURING, INSTALLATION OR SALE OF PRODUCT OR SERVICE WITHOUT WRITTEN PERMISSION OF OAC.</p>		<p>PROJECT NAME:</p>
<p>PROJECT LOCATION:</p>		<p>DRAWING TITLE:</p>
<p>ENGINEER:</p>		<p>HYDRONIC CONSTANT VOLUME PRIMARY - 2 CONDENSING BOILERS, BUILT IN TEMP PROTECTION WITH 2 SYSTEM PUMPS</p>
<p>DATE:</p>		<p>DRAWING No. H-CV-400-2BI-2</p>
<p>BY:</p>		<p>DESIGNED BY: D.K.</p>
<p>DATE:</p>		<p>CHECKED BY: D.K.</p>
<p>DATE:</p>		<p>APPROVED BY: D.K.</p>
<p>DESCRIPTION:</p>		<p>SCALE: 1/2" = 1'-0"</p>
<p>REV A RELEASED</p>		<p>SCALE: 1/2" = 1'-0"</p>
<p>DESCRIPTION:</p>		<p>SCALE: 1/2" = 1'-0"</p>

